


## Heavy IC Forklift Truck

Distinguishing mark							
	1.1	1.2	1.3	1.4	1.5		
1.1	Manufacturer		CPCD200-W36	CPCD200-W50	CPCD250-W36	CPCD250-W50	
1.2	Manufacturer's type designation						
1.3	Drive: electric (battery or mains), diesel, petrol, fuel gas		Diesel	Diesel	Diesel	Diesel	
1.4	Operator type: hand, pedestrian, standing, seated, order-picker		Seated	Seated	Seated	Seated	
1.5	Rated capacity/rated load	Q (kg)	20000	20000	25000	25000	
1.6	Load centre distance	c (mm)	1200	1200	1200	1200	
1.8	Load distance, centre of drive axle to fork	x (mm)	1100	1100	1100	1100	
1.9	Wheelbase	y (mm)	4400	4400	4400	4400	
Weight	2.1	Service Weight	kg	33500	33500	35500	35500
Tyres, chassis	3.2	Tyre size, front		14.00-24-24PR	14.00-24-24PR	14.00-24-28PR	14.00-24-28PR
	3.3	Tyre size, rear		14.00-24-24PR	14.00-24-24PR	14.00-24-28PR	14.00-24-28PR
3.5	Wheels, number front / rear (x = driven wheels)		4x/2	4x/2	4x/2	4x/2	
3.6	Tread, front	b10 (mm)	2200	2200	2200	2200	
3.7	Tread, rear	b11 (mm)	2300	2300	2300	2300	
Dimensions	4.1	Tilt of mast/fork carriage forward/backward	α/β(°)	6/10	6/10	6/10	6/10
	4.2	Height, mast lowered	h1 (mm)	4000	4000	4000	4000
	4.3	Free lift	h2 (mm)	110	110	110	110
	4.4	Lift	h3 (mm)	4000	4000	4000	4000
	4.5	Height, mast extended	h4 (mm)	6000	6000	6000	6000
	4.7	Height of cabin	h6 (mm)	3380	3380	3380	3380
	4.19	Overall length	l1 (mm)	8810	8810	8810	8810
	4.20	Length to face of forks	l2 (mm)	6370	6370	6370	6370
	4.21	Overall width	b1 (mm)	3050	3050	3050	3050
	4.22	Fork dimensions ISO 2331	s/e/l (mm)	2440x250x110	2440x250x110	2440x250x110	2440x250x110
4.25	Distance between fork-arms	bs (mm)	900/2600	900/2600	900/2600	900/2600	
4.31	Ground clearance, laden, below mast	m1 (mm)	300	300	300	300	
4.32	Ground clearance, centre of wheelbase	m2 (mm)	450	450	450	450	
4.35	Turning radius	Wa (mm)	6000	6000	6000	6000	
Performance Data	5.1	Travel speed, laden/unladen	km/h	25/28	25/28	25/28	25/28
	5.2	Lift speed, laden/unladen	m/s	0.3/0.33	0.3/0.33	0.3/0.33	0.3/0.33
	5.5	Drawbar pull, laden/unladen	N	160000/-	160000/-	160000/-	160000/-
	5.7	Gradeability, laden/unladen	%	25/-	25/-	25/-	25/-
	5.10	Service brake		Wet disc brake system(wDB)			
	Parking brake		Spring Applied,Hydraulic release multidisc brake(SAHR)				
Combustion-engine	7.1	Engine manufacturer/type		CUMMINS/QSC8.3	CUMMINS/QSL9.0 250	CUMMINS/QSC8.3	CUMMINS/QSL9.0 250
		Emission STD		StageIIIA/Tier3	StageIIIB/Tier4	StageIIIA/Tier3	StageIIIB/Tier4
	7.2	Engine power according to DIN ISO 1585	kw	179	186	179	186
	7.3	Rated speed	min	2200	2200	2200	2200
	7.4	Number of cylinders/displacement	(-)/ (cm <sup>3</sup> )	6/8300	6/8900	6/8300	6/8900
	7.10	Battery voltage/nominal capacity	V/Ah	2x12/150	2x12/150	2x12/150	2x12/150
	Rated torque	N.m/r/min	1085/1500	1085/1500	1085/1500	1085/1500	
	Bore x stroke	mm	114x135	114x145	114x135	114x145	

## 20-25t Forklift Mast Specification

Type	Max. fork height		Overall height				Tilt range	
			Lowered		Extended		FWD/RWD	
Wide view mast	mm	mm	mm	mm	mm	mm	(°)	(°)
	20t	25t	20t	25t	20t	25t	20t	25t
	3300	3300	3650	3650	5290	5290	6/10	6/10
	3600	3600	3800	3800	5590	5590	6/10	6/10
	4000	4000	4000	4000	5990	5990	6/10	6/10
	4300	4300	4150	4150	6290	6290	6/10	6/10
	4500	4500	4250	4250	6490	6490	6/10	6/10
	4800	4800	4400	4400	6790	6790	6/10	6/10
	5000	5000	4550	4550	7040	7040	6/10	6/10
	5500	5500	4800	4800	7540	7540	3/6	3/6
6000	6000	5100	5100	8090	8090	3/6	3/6	
6500	6500	5350	5350	8590	8590	3/6	3/6	

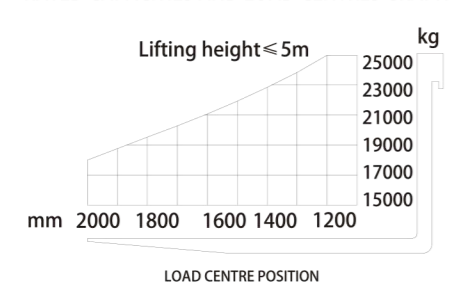


## Heavy IC Forklift Truck

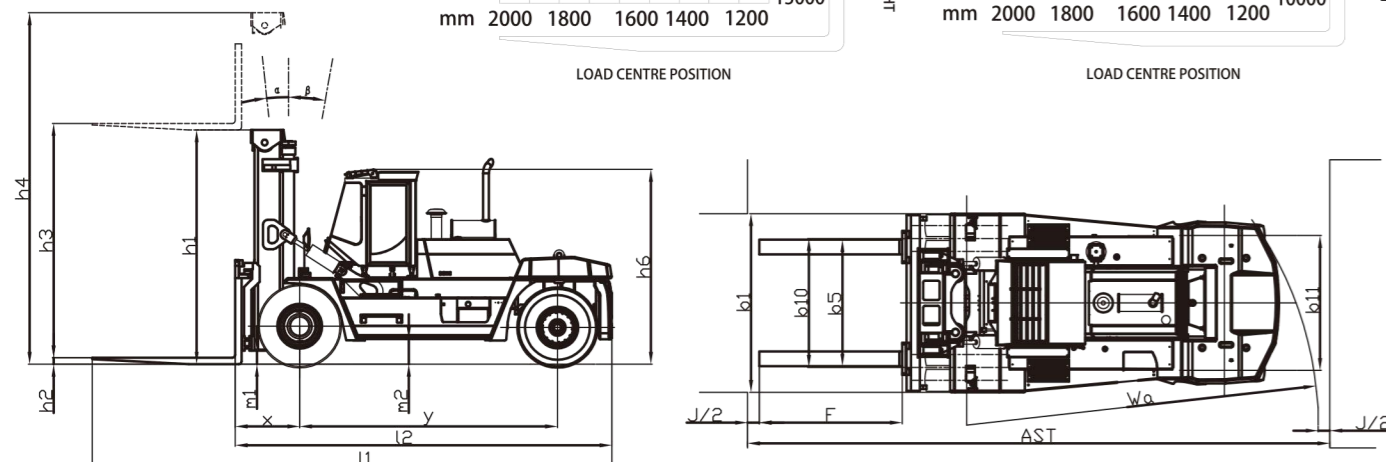
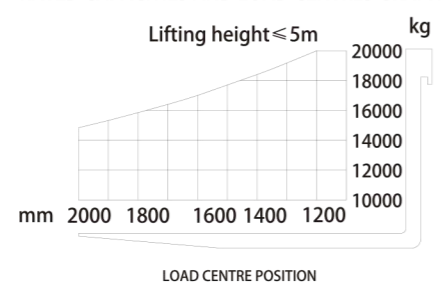
with capacities of 20,000 to 25,000kg



RATED CAPACITIES AND LOAD CENTRES GRAPH



RATED CAPACITIES AND LOAD CENTRES GRAPH



**E-P Equipment Co., LTD**  
Let's grow together...

[www.ep-ep.com](http://www.ep-ep.com)  
[www.epforklift.com](http://www.epforklift.com)

**China: (Headquarters)**  
**E-P EQUIPMENT CO., LTD**  
No. 121 YongHua Street, Shi Qiao Road, Xia Cheng  
Qu Hangzhou, China  
Tel: 86-571-28035676/28035633/28035657/28035653  
Fax: 86-571-28035665  
Email: [info@ep-ep.com](mailto:info@ep-ep.com)

**USA:**  
**E-P EQUIPMENT, USA CORP.**  
1770 Campton Road  
Inmam, SC 29349  
Tel: 86-571-28035676/28035633/28035657/28035653  
Fax: 86-571-28035665  
E-mail: [info@ep-ep.com](mailto:info@ep-ep.com)

**Japan:**  
**E-P EQUIPMENT JAPAN**  
#1052-16-10 Hirao, Inagi-shi  
Tokyo 206-0823 Japan  
Tel: 81-42-3506422  
Fax: 81-42-3506423  
E-mail: [ep-japan@ep-ep.com](mailto:ep-japan@ep-ep.com)

**Korea:**  
**E-P EQUIPMENT KOREA**  
1058-Ra Dong, Buck Yi-Dong,  
Ilsan/Gu, Koyang/Shi, Kyunggi/  
Du, Korea  
Tel: 82-31-9254100  
Fax: 82-31-9254102  
E-mail: [ep@ep-ep.co.kr](mailto:ep@ep-ep.co.kr)