

CPCD40-45T8/CPCD50T8-X

T8 Diesel Forklift 4.0/4.5/5.0t

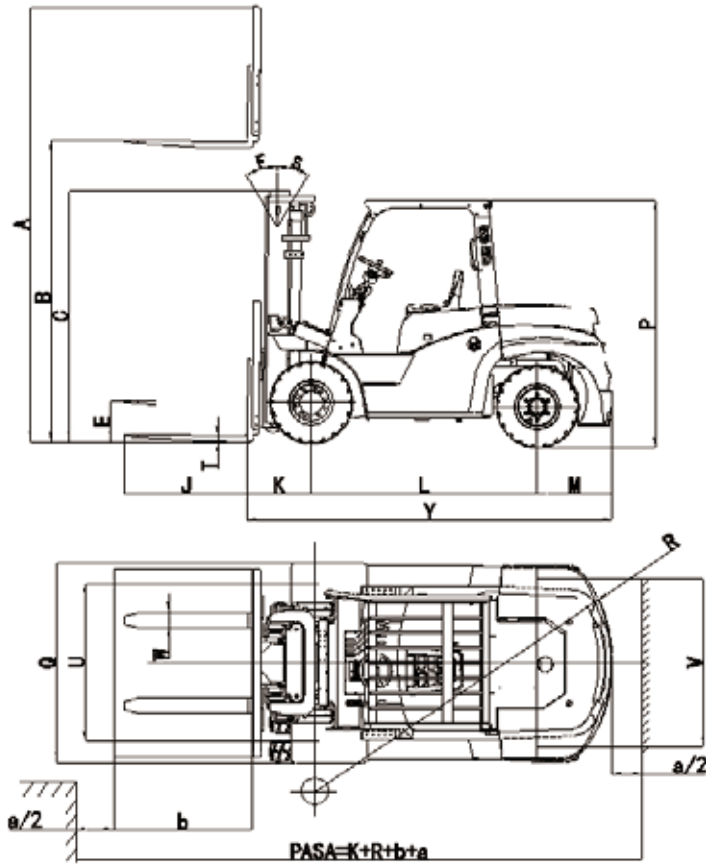
1		Manufacture										
2		Model			CPCD40T8	CPCD45T8	CPCD50T8-X	CPCD40T8	CPCD45T8	CPCD50T8-X		
3		Power type			DIESEL OIL	DIESEL OIL	DIESEL OIL	DIESEL OIL	DIESEL OIL	DIESEL OIL		
4		Rated capacity		Kg	4000	4500	5000	4000	4500	5000		
5		Load center		mm	500	500	500	500	500	500		
6		Lift height		mm	3000	3000	3000	3000	3000	3000		
7		Free lift height		mm	150	150	150	150	150	150		
8		Fork size		L×W×T	mm	1070×150×50	1070×150×55	1070×150×55	1070×150×50	1070×150×55		
9		Mast tilt range		F/R	deg	6/10	6/10	6/10	6/10	6/10		
10		Fork overhang(wheel center to fork face)			mm	565	565	565	565	565		
11		Rear overhang			mm	540	540	565	540	565		
12		Overall dimensions		Length to face of fork		mm	3070	3070	3095	3070	3095	
				Overall width		mm	1480	1480	1480	1480	1480	1480
				Mast lowered height		mm	2265	2265	2265	2265	2265	2265
				Mast extended height		mm	4250	4250	4250	4250	4250	4250
				Overhead guard height		mm	2280	2280	2280	2280	2280	2280
16		Turning radius(outside)			mm	2830	2830	2860	2830	2860		
17		Min.right angle stacking aisle width (Add load length and clearance)			mm	3595	3595	3625	3595	3625		
19		Speed		Travel (No/Full load)	km/h	26/22	26/22	26/22	26/22	26/22		
		Lifting (No/Full load)		mm/sec	570/470	570/470	570/470	570/470	570/470	570/470		
22		Max.Draw bar Pull (Full load)			N	21000	21000	21000	21000	21000		
23		Max.Gradeability (Full load)			%	20	20	20	20	20		
24		Tyres		Front	mm	300-15-14PR	300-15-14PR	300-15-14PR	300-15-14PR	300-15-14PR		
		Rear		mm	700-12-12PR	700-12-12PR	700-12-12PR	700-12-12PR	700-12-12PR	700-12-12PR		
26		Tread		Front	mm	1180	1180	1180	1180	1180		
		Rear		mm	1190	1190	1190	1190	1190	1190		
28		Wheelbase			mm	2000	2000	2000	2000	2000		
29		Ground clearance		Mast		165/140	165/140	165/140	165/140	165/140		
		Frame				195/180	195/180	195/180	195/180	195/180		
31		Self weight			Kg	6450	6770	7050	6450	7050		
32		Weight		Full load		Front	9092	9805	10484	9092	9805	
				Rear		mm	1358	1465	1566	1358	1465	1566
34		Distribution		No load		Front	2902	3046	3172	2902	3046	
				Rear			3548	3724	3878	3548	3724	3878
35		Battery		Voltage/Capacity	V/AH	24/65	24/65	24/65	24/65	24/65		
37		Engine		Modal			S6S		QSF2.8		4D35ZG31	
				Manufacture			MTSUBISHI		CUMMINS		XIN CHAI	
				Rated output/r.p.m		kw	52/2300		55/2200		60/2200	
				Rated torque/r.p.m		N.m	248/1700		300/1600		300/1600-1800	
				No.of cylinder			6		4		4	
				Bore×Stroke		mm	94*120		94*100		98*115	
				Displacement		cc	4996		2775		3460	
				Fuel tank capacity		L			90			
				Manufacture					CHINA			
				46		Transmissions		Type				
Stage			FWD/RVS						2/1			
48		Operating pressure		For attachments	Mpa				17.5			

- 1.The parameters in the table are of the standard model. For more information, please contact us.
- 2.The parameters are subject to change without notice.

Mast Option

Options	40T8	45T8	50T8-X
Fork length	•	•	•
Fork sleeve	•	•	•
Fold fork	•	•	•
Imported diesel engine	•	•	•
High exhaust	•	•	•
Double air filtration	•	•	•
Two filter air filter	•	•	•
Solid rubber tire	•	•	•
Environmental solid tire	•	•	•
Overhead guard	•	•	•
Mast options	•	•	•
Attachments	•	•	•
Built in side shift	•	•	•
Cockpit	•	•	•
With fan heater	•	•	•
With front windshield wiper	•	•	•
With rear windshield wiper	•	•	•
Air fan	•	•	•
Before the file	•	•	•
Easy driving room	•	•	•
Fire extinguisher	•	•	•
Seat	•	•	•
Seat switch	•	•	•
Front work light	•	•	•
Rear work light	•	•	•
OPS system	•	•	•
Backrest width	•	•	•





RATED CAPACITIES AND LOAD CENTERES GRAPH

