



Fit Actual Needs and Costs Effectively

CPD13/15/16/18/20TV

Three-wheel Electric Forklift 1.3/1.5/1.6/1.8/2.0t

Dual-drive Performance

Perfect Balance between Dynamic and Working Space

EP EQUIPMENT CO.,LTD
www.ep-ep.com

Three-wheel Electric Forklift 1.3/1.5/1.6/1.8/2.0t CPD13/15/16/18/20TV

Distinguishing mark			EP	EP	EP	EP	EP
1.1	Manufacturer		CPD13TV	CPD15TV	CPD16TV	CPD18TV	CPD20TV
1.2	Model designation		Electrics	Electrics	Electrics	Electrics	Electrics
1.3	Drive unit		seated	seated	seated	seated	seated
1.4	Operator type						
1.5	rated capacity	Q t	1.3	1.5	1.6	1.8	2.0
1.6	Load center distance	c mm	500	500	500	500	500
1.8	Load distance, centre of drive axle to fork	x mm	400	400	400	400	400
1.9	Wheelbase	y mm	1258	1258	1358	1358	1358
Weight							
2.1	Service weight (include battery)	kg	3050	3050	3160	3160	3350
2.2	Axle loading, laden driving wheels /steering wheels	kg	3872/478	4215/335	4321/439	4640/320	5000/350
2.3	Axle loading, unladen driving wheels /steering wheels	kg	1570/1480	1570/1480	1620/1540	1620/1540	1710/1640
Types, Chassis							
3.1	Tyre type, driving wheels /steering wheels		solid rubber	solid rubber	solid rubber	solid rubber	solid rubber
3.2	Tyre size, driving wheels (diameter×width)	mm	18X7-8	18X7-8	18X7-8	18X7-8	200X50-10
3.3	Tyre size, steering wheels (diameter×width)	mm	15X4.5-8	15X4.5-8	15X4.5-8	15X4.5-8	15X4.5-8
3.5	Wheels, number driving/steering (x=drive wheels)	mm	2x/ 2	2x/ 2	2x/ 2	2x/ 2	2x/ 2
3.6	Tread, Driving wheels	b ₁₀ mm	902	902	902	902	936
3.7	Tread, Steering wheels	b ₁₁ mm	175	175	175	175	175
Dimensions							
4.1	Tilt of mast/fork carriage forward/backward	α / β (°)	6/6	6/6	6/6	6/6	6/6
4.2	Height, mast lowered	h ₁ mm	2060	2060	2060	2060	2060
4.3	Free lift (load backrest)	h ₂ mm	120	120	120	120	120
4.4	Lift height	h ₃ mm	3000	3000	3000	3000	3000
4.5	Height, mast extended	h ₄ mm	4058	4058	4058	4058	4058
4.7	Height of overhead guard (cabin)	h ₆ mm	2060	2060	2060	2060	2060
4.8	Seat height	h ₇ mm	1000	1000	1000	1000	1000
4.12	Tow center of pin height	h ₁₀ mm	475	475	475	475	475
4.19	Overall length	l ₁ mm	2765	2765	2865	2865	2895
4.20	Length to face of forks	l ₂ mm	1845	1845	1945	1945	1975
4.21	Overall width	b ₁ / b ₂ mm	1090	1090	1090	1090	1150
4.22	Fork dimensions	s/ e/ l mm	40×100×920	40×100×920	40×100×920	40×100×920	40×100×920
4.23	Fork carriage class/type A, B		A	A	A	A	A
4.24	Fork carriage width	b ₃ mm	1040	1040	1040	1040	1040
4.31	Ground clearance, laden, below mast	m ₁ mm	108	108	108	108	108
4.32	The minimum ground clearance of frame	m ₂ mm	78	78	78	78	78
4.34.1	Aisle width for pallets 1000 × 1200 crossways	Ast mm	3195	3195	3295	3295	3325
4.34.2	Aisle width for pallets 800 × 1200 lengthways	Ast mm	3320	3320	3420	3420	3450
4.35	Turning radius	Wa mm	1475	1475	1575	1575	1605
Performance data							
5.1	Travel speed, laden/ unladen	km/ h	13/ 14	13/ 14	13/ 14	13/ 14	13/ 14
5.2	Lifting speed, laden/ unladen	m/ s	0.3/ 0.43	0.29/ 0.43	0.28/ 0.43	0.27/ 0.43	0.26/ 0.43
5.3	Lowering speed, laden/ unladen	m/ s	0.44/ 0.435	0.44/ 0.435	0.44/ 0.435	0.44/ 0.435	0.44/ 0.435
5.5	Drawbar pull, laden/unladen	N					
5.6	Max. drawbar pull, laden/unladen (time)	N	/	/	/	/	/
5.7	Gradeability, laden/unladen	%	10.5/ 14.5	10.5/ 14.5	10.5/ 14.5	10.5/ 14.5	10.5/ 14.5
5.8	Max. gradeability, laden/unladen	%					
5.10	Service brake type		Mechanical/ hydraulic	Mechanical/ hydraulic	Mechanical/ hydraulic	Mechanical/ hydraulic	Mechanical/ hydraulic
	park brake type		Mechanical/ hydraulic	Mechanical/ hydraulic	Mechanical/ hydraulic	Mechanical/ hydraulic	Mechanical/ hydraulic
Electric engine							
6.1	Drive motor rating S2 60 min	kW	4.5x2	4.5x2	4.5x2	4.5x2	4.5x2
6.2	Lift motor rating at S3 15%	kW	11	11	11	11	11
6.3	The maximum allowed size battery	mm	/	/	/	/	/
6.4	Battery voltage/nominal capacity K5		48/400	48/400	48/500	48/500	48/500
6.5	Battery weight	kg	708	708	856	856	856
Addition data							
8.1	Type of drive unit		AC	AC	AC	AC	AC
10.5	Steering type		Mechanical/ hydraulic	Mechanical/ hydraulic	Mechanical/ hydraulic	Mechanical/ hydraulic	Mechanical/ hydraulic
10.7	Sound pressure level at the driver's ear	dB (A)	68	68	70	70	74

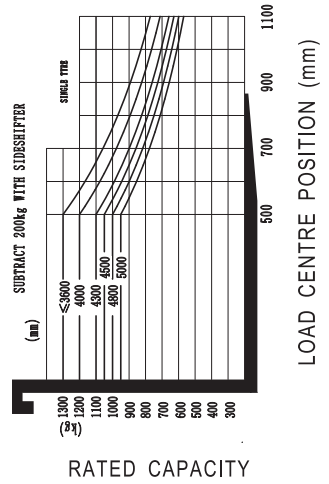
If there are improvements of technical parameters or configurations, no further notice will be given.
The diagram shown may contain non-standard configurations.

Mast Option

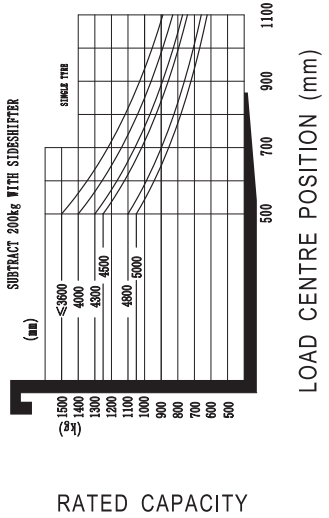
Type	Model	Max. fork height h3	Overall height			Free lift		Front Overhang X				Tilt range		Capacity				
			Lowered h1	Without backrest	With backrest h4	Without backrest	With backrest h2	1.3t	1.5t	1.8t	2.0t	FWD α	BWD β	1.3t	1.5t	1.8t	2.0t	
	mm	mm	mm	mm	mm	mm	mm	mm	mm	mm	mm	Deg	Deg	kg	kg	kg	kg	
Duplex ZT	2W200	2000	1490	3058	120	120	400	400	400	400	400	6	6	1300	1500	1600	1800	2000
	2W250	2500	1740	3558	120	120	400	400	400	400	6	6	1300	1500	1600	1800	2000	
	2W270	2700	1840	3758	120	120	400	400	400	400	6	6	1300	1500	1600	1800	2000	
	2W300	3000	1990	4058	120	120	400	400	400	400	6	6	1300	1500	1600	1800	2000	
	2W330	3300	2140	4358	120	120	400	400	400	400	6	6	1300	1500	1600	1800	2000	
	2W350	3500	2240	4558	120	120	400	400	400	400	6	6	1300	1500	1600	1800	2000	
	2W360	3600	2290	4658	120	120	400	400	400	400	6	6	1300	1500	1600	1800	2000	
	2W400	4000	2540	5058	120	120	400	400	400	400	3	5	1200	1300	1400	1500	1600	1800
	2W425	4250	2665	5308	120	120	400	400	400	400	3	5	1200	1300	1400	1500	1700	
	2W450	4500	2790	5558	120	120	400	400	400	400	3	5	1150	1250	1350	1400	1600	
Duplex ZZ	2F250	2500	1773	3015	1258	715	400	400	400	400	6	6	1300	1500	1600	1800	2000	
	2F270	2700	1873	3215	1358	815	400	400	400	400	6	6	1300	1500	1600	1800	2000	
	2F300	3000	2023	3515	1508	965	400	400	400	400	6	6	1300	1500	1600	1800	2000	
	2F330	3300	2173	3815	1658	1115	400	400	400	400	6	6	1300	1500	1600	1800	2000	
	2F360	3600	2323	4115	1808	1265	400	400	400	400	6	6	1300	1500	1600	1800	2000	
	2F400	4000	2523	4515	2008	1465	400	400	400	400	3	5	1200	1400	1500	1700	1900	
	3F435	4350	1993	4865	1449	935	400	400	400	400	3	5	1100	1250	1350	1450	1600	
	3F450	4500	2043	5015	1499	985	400	400	400	400	3	5	1050	1200	1300	1350	1500	
	3F480	4800	2143	5315	1599	1085	400	400	400	400	3	5	1000	1100	1200	1250	1400	
	3F500	5000	2208	5515	1664	1150	400	400	400	400	3	5	950	1050	1150	1200	1350	
Triplex DZ	3F550	5500	2378	6015	1834	1320	400	400	400	400	3	5	/	/	1050	1100	1250	
	3F600	6000	2593	6515	2049	1535	400	400	400	400	3	5	/	/	850	900	1150	

1. The parameters in the table are the standard model, for more information please contact us.
 2. The parameters are subject to change without notice.

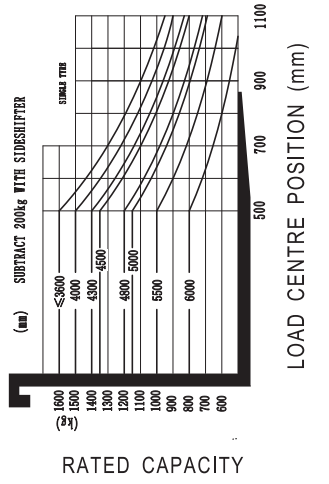
CPD13TV RATED CAPACITIES GRAPH



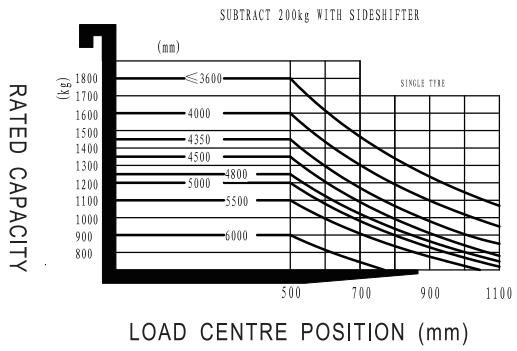
CPD15TV RATED CAPACITIES GRAPH



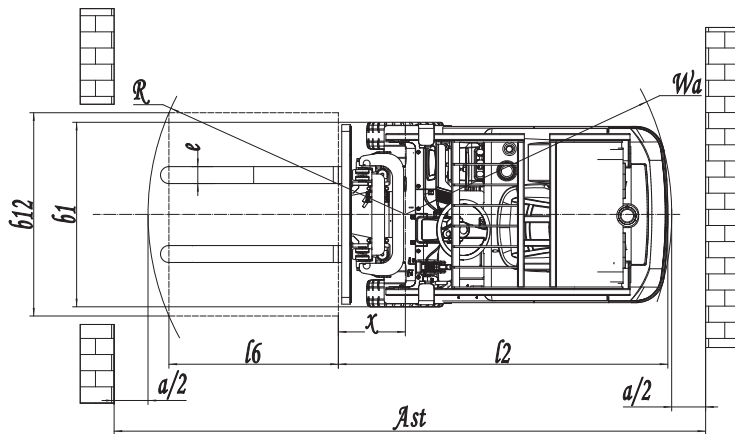
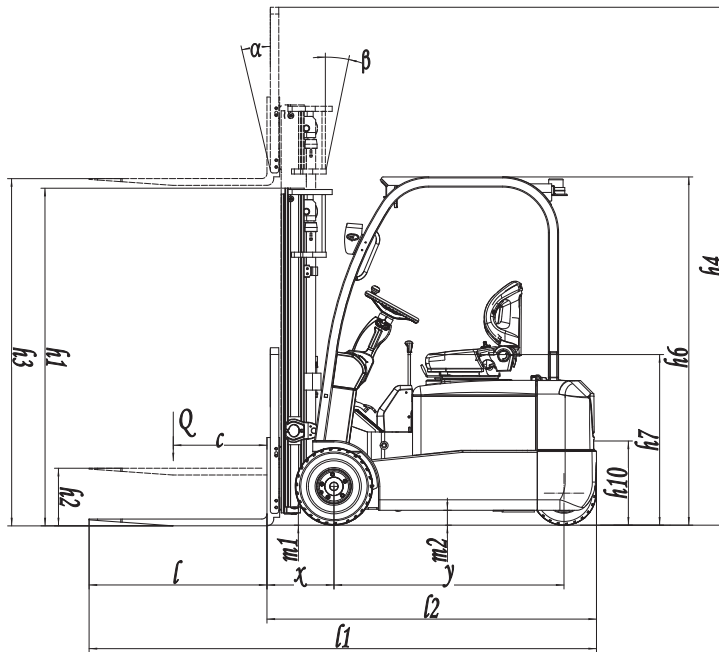
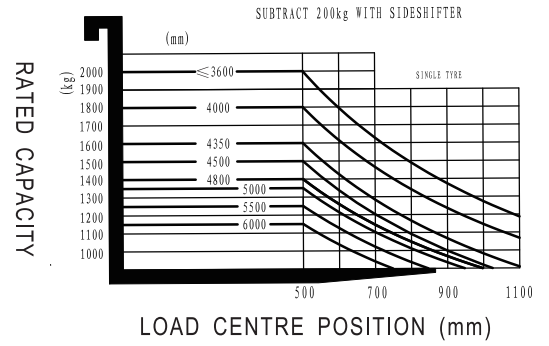
CPD16TV RATED CAPACITIES GRAPH



CPD18TV RATED CAPACITIES GRAPH



CPD20TV RATED CAPACITIES GRAPH



Option

Optional items		CPD13/15/16/18/20TV
3	Fork length	○
6	Folding fork	○
7	Weighting system with fork	—
12	Solid rubber tire	●
13	Environmental solid tire	○
15	cold storage	○
19	Battery capacity	○
20	Lateral change battery	13/15None
21	Import battery	○
22	Water auto-filling system	○
30	Side shift	○
37	Overhead guard	○
39	Mast options	○
40	Attachments	○
41	Proportional valve	○
42	Front light	●
43	Back light	○
46	Warning light	●
48	Fire extinguisher	○
49	Seat	○
50	Seat switch	●
51	With fan heater	○
52	With front windshield wiper	○
53	With rear windshield wiper	○
54	Cockpit	○
55	Double front wheel	—
56	Rearview	○
57	OPS system	○
58	Backrest width	○
59	Side to pull the car	○
60	Air fan	—
61	Charging voltage	○
62	Drive-in Rack	○

Note: ● standard ○ option — NA

